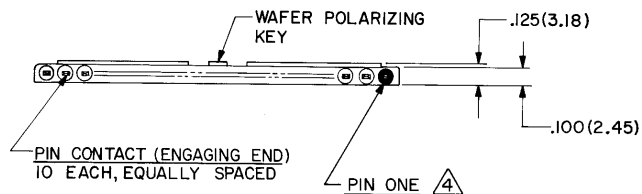
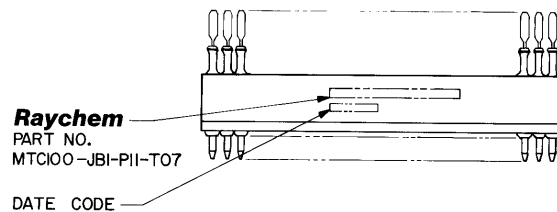
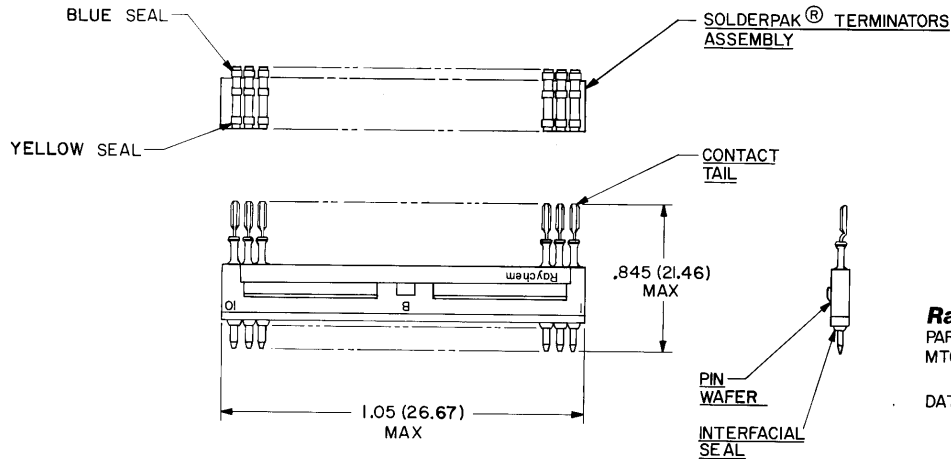


REVISIONS				
ZONE	LTR	DESCRIPTION	DATE	APPROVED
—	A	CHG'D PER DCO #T-02583	W.J.	



△ WEIGHT (MAX.) \approx $\frac{\text{LBS. | GRAMS}}{.0047 | 2.12}$

△ PIN ONE : PIN NUMBER ONE MARKED IN CONTRASTING COLOR ON INTERFACIAL SEAL.

3. WAFER : WAFER MEETS THE REQUIREMENTS OF RAYCHEM SPECIFICATION D-6012.

2. FINISH \approx 2-A PIN WAFER; FINISH TO BE AS MOLDED.
 2-B PIN CONTACT; GOLD PLATE PER MIL-G-45204, CLASS I.
 (ENGAGING END)
 2-C CONTACT TAIL; COATED WITH SOLDER PER QQ-S-571.

1. MATERIAL \approx 1-A PIN WAFER; HIGH GRADE POLYARYLENE THERMO-PLASTIC.
 1-B PIN CONTACT; COPPER ALLOY PER QQ-B-613 OR QQ-C-502.
 1-C INTERFACIAL SEAL; SILICONE ELASTOMER PER MIL-R-25988.
 1-D SOLDERPAK® TERMINATORS ASSY; REFER TO RAYCHEM DWG. CTA-0035 FOR DATA.

NOTES

DO NOT SCALE THIS DRAWING

If this document is printed it becomes uncontrolled.
 Check with the web for latest revision.

© Raychem Corporation 1981

SPECIFICATION CONTROL DRAWING

UNLESS OTHERWISE SPECIFIED DIMENSIONS ARE IN INCHES BRACKETED DIMENSIONS () ARE METRIC AND TOLERANCES ARE: .XXX: \pm .005 (0.13 M.M.) .XX: \pm .02 (0.51 M.M.) Δ: \pm —	DRAWN	W.V.J.	1-15-81	Raychem <small>RAYCHEM CORPORATION 300 CONSTITUTION DRIVE MENLO PARK, CALIFORNIA 94025</small> TITLE KIT, 1" PIN WAFER "B" WITH SOLDERPAK® TERMINATORS, FOR ROUND WIRE (20-26 AWG), 125°C TEMPERATURE RATING MTC 100 SERIES
	CHECKED			
	APPROVED			
	APPROVED			
	APPROVED			
	APPROVED			
	SIZE	CODE IDENT	DWG. NO.	
	C	NO. 06090	MTC100-JBI-P11-T07	
	WEIGHT	△	SHEET	OF